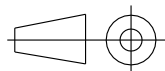
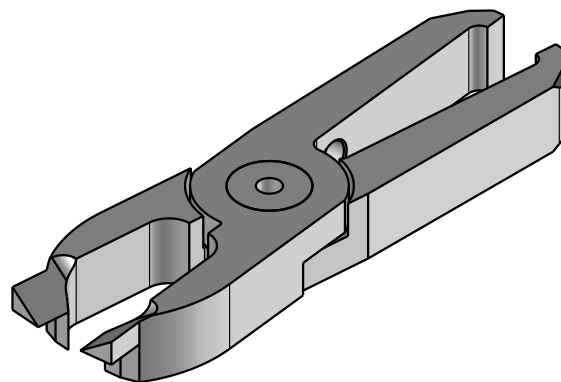
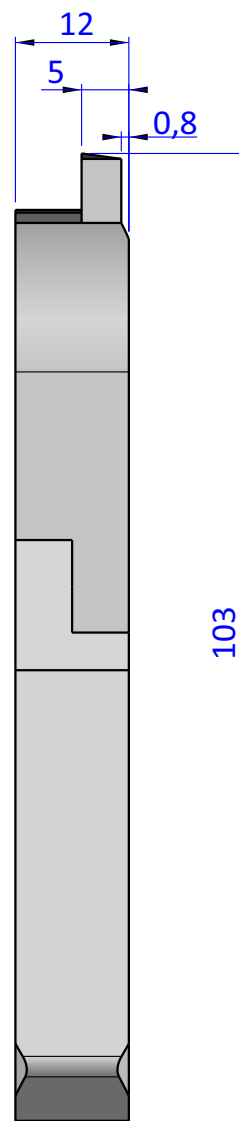
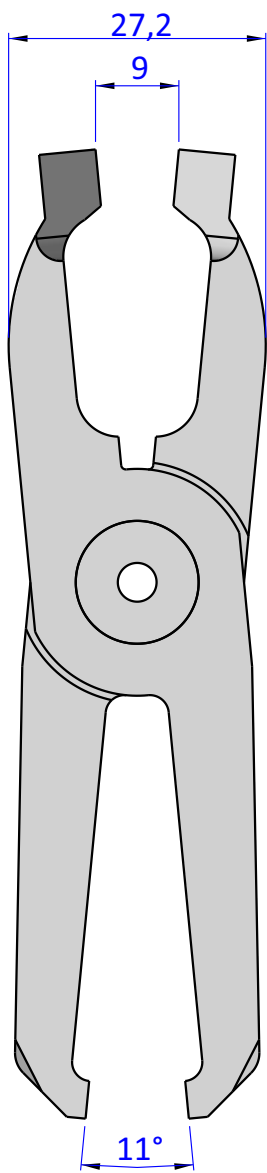


THE PROPERTY OF THE DRAWING IS ESTABLISHED BY LAW. IT IS FORBIDDEN TO PRODUCE OR SHOW IT TO THIRD PART. WITHOUT A WRITTEN AGREEMENT.



DESIGNED FROM	REVIEW
FPS Automation	A

DATE	WEIGHT
26/10/2020	0,141kg

CODE
VES.NT20AD

Format A4

UNI 936-76

GENERAL TOLERANCE

UNI - ISO 2768

CLASSE f

DESCRIPTION

VES.NT20AD